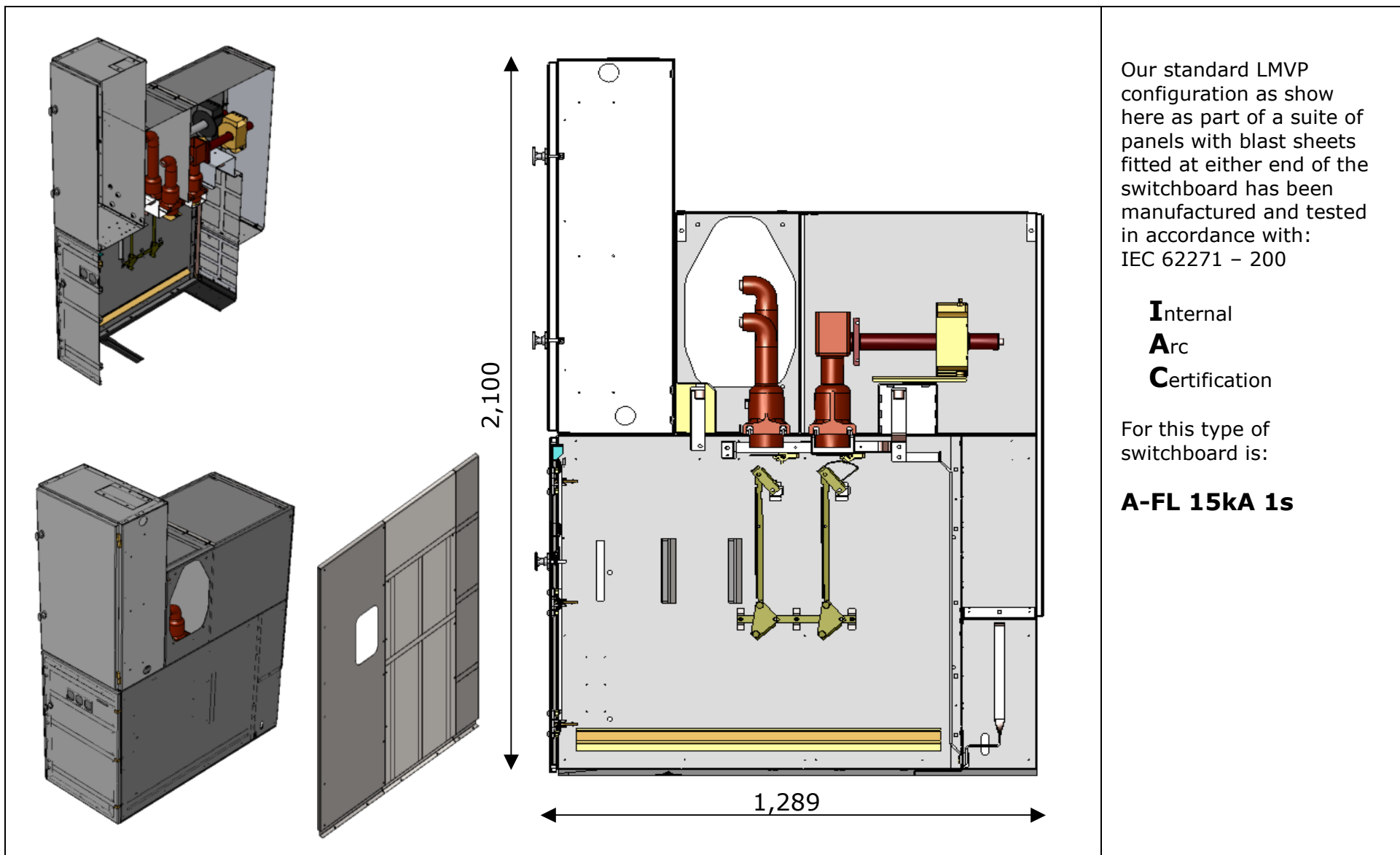




RPS SWITCHGEAR

Reliability and safety you can trust



Our standard LMVP configuration as show here as part of a suite of panels with blast sheets fitted at either end of the switchboard has been manufactured and tested in accordance with:
IEC 62271 – 200

Internal
Arc
Certification

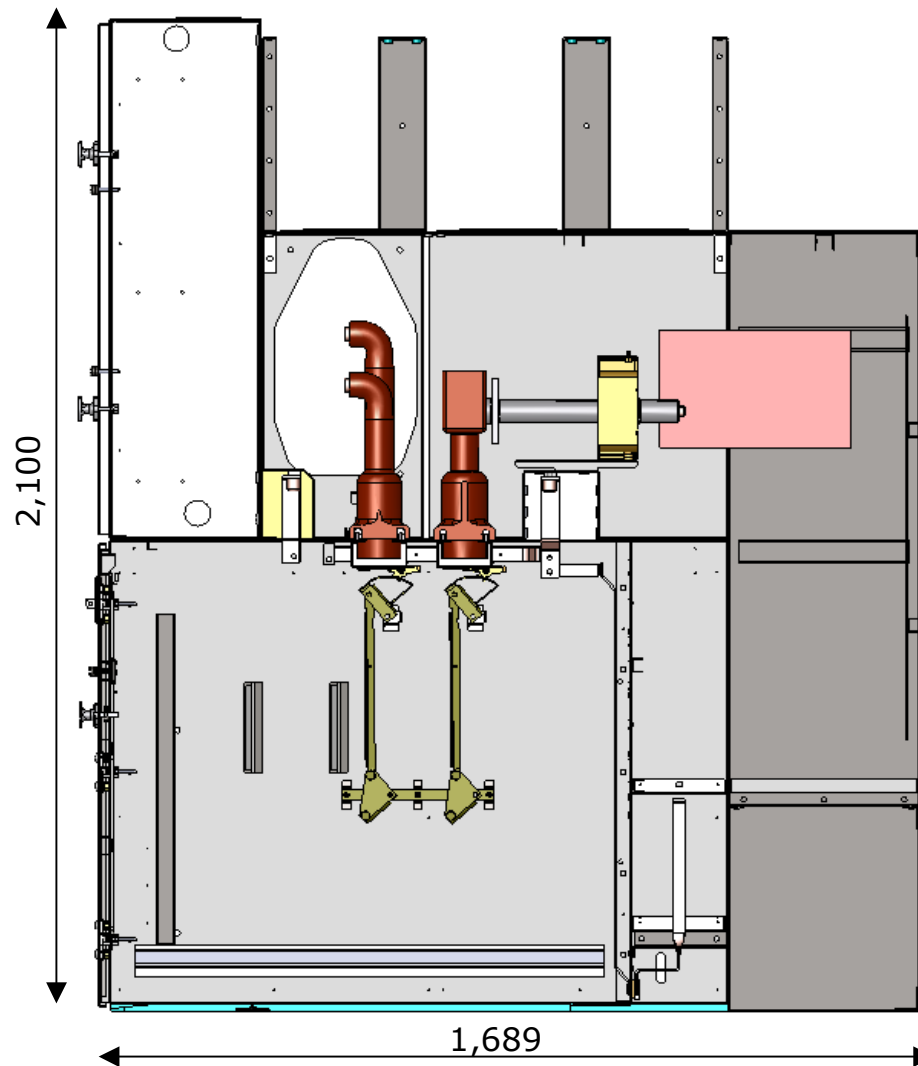
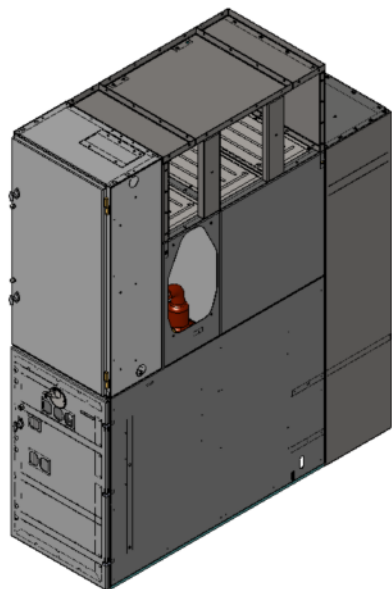
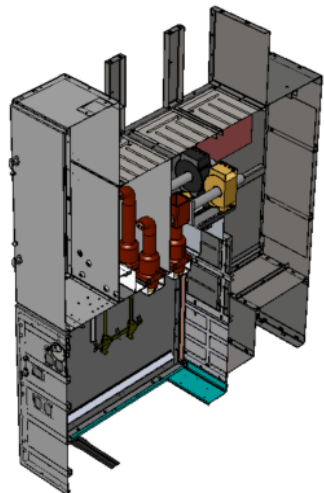
For this type of switchboard is:

A-FL 15kA 1s



RPS SWITCHGEAR

Reliability and safety you can trust



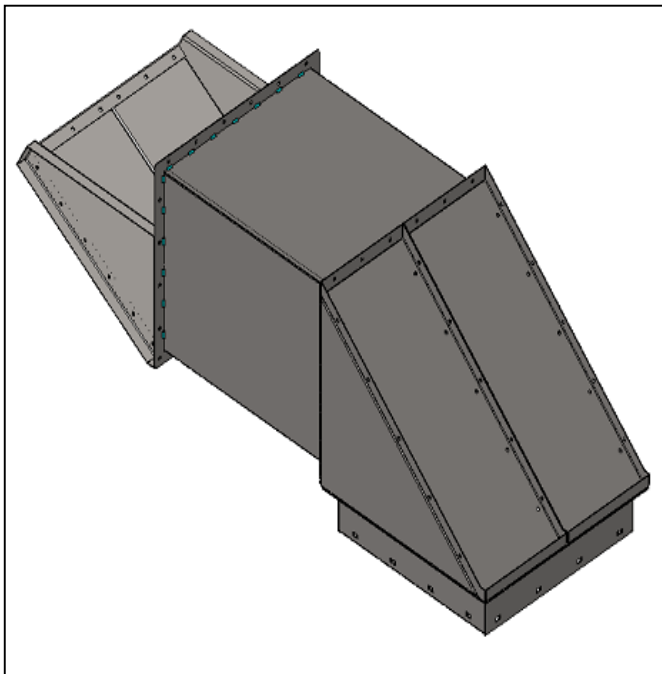
Our standard LMVP configuration as show here with the additional ducting fitted as part of a suite of panels with blast sheets fitted at either end of the switchboard has been manufactured and tested in accordance with:
IEC 62271 - 200

Internal
Arc
Certification

For this type of switchboard is:

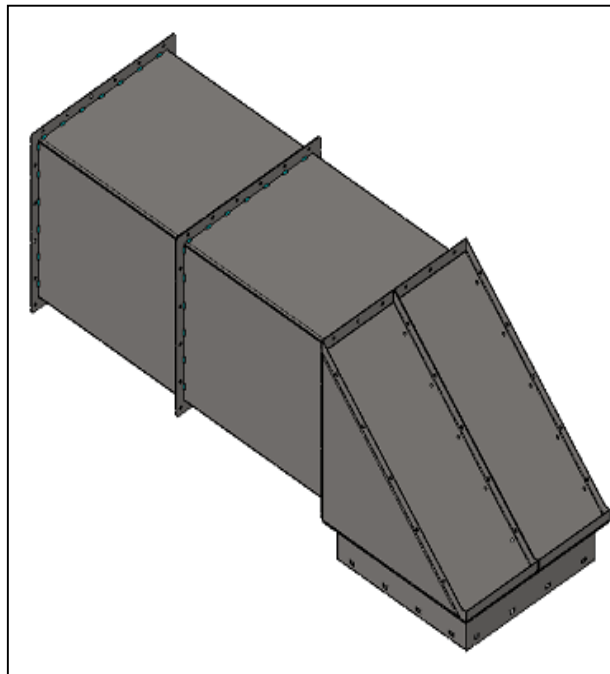
A-FLR 25kA 1s

This configuration must incorporate either of the venting options as shown on page 3



BAFFLE OPTION (ONE)

This option fitted as part of our IAC configuration will contain the arc within the switch-room; this will add 655mm to the standard height of our LMVP switchgear



DUCT OPTION (TWO)

This option fitted as part of our IAC configuration will vent the arc outside the switch-room; this will add 655mm to the standard height of our LMVP switchgear

VENTILATING OPTIONS